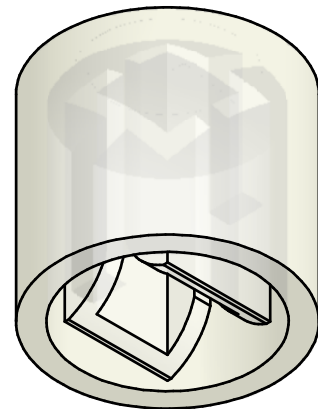
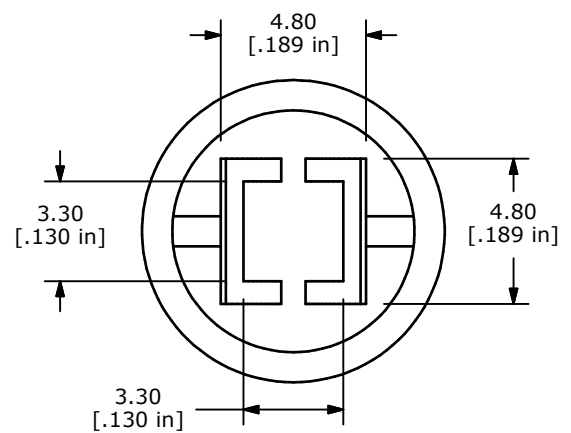
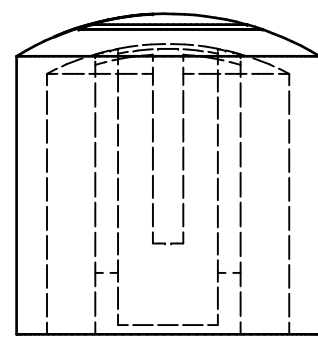
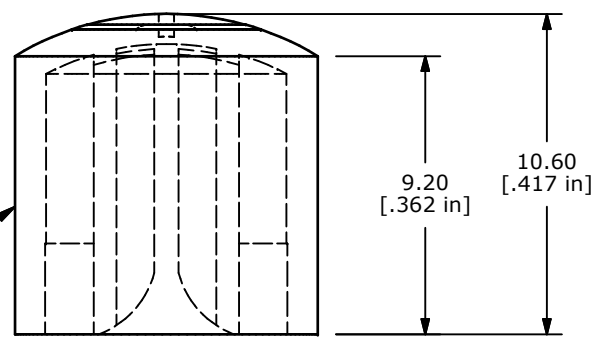


▲
EXTERNAL SURFACES
ARE TO BE FREE OF
BLEMISHES AND
VISUAL DEFECTS



- NOTES:
1. ALL DIMENSIONS IN MM [INCH]
 2. GENERAL TOLERANCE: X.XX=± 0.15
 3. MATERIAL: POLYCARBONATE
 4. COLORS: BODY EXTERIOR - SILVER ▲
SYMBOL - TRANSPARENT▲
 5. ▲ DENOTES CRITICAL PARAMETER.



A	20898	NEW RELEASE	11/30/12	EBP
REV	PCR NO	DESCRIPTION	DATE	BY
<small>THE INFORMATION CONTAINED IN THIS DOCUMENT IS PROPRIETARY TO E-SWITCH AND IS NOT TO BE COPIED OR TRANSFERRED</small>				

TITLE R05SILPWR				
SCALE	DATE	DR	DWG	REV
	11/30/2012	EP	B410001	A